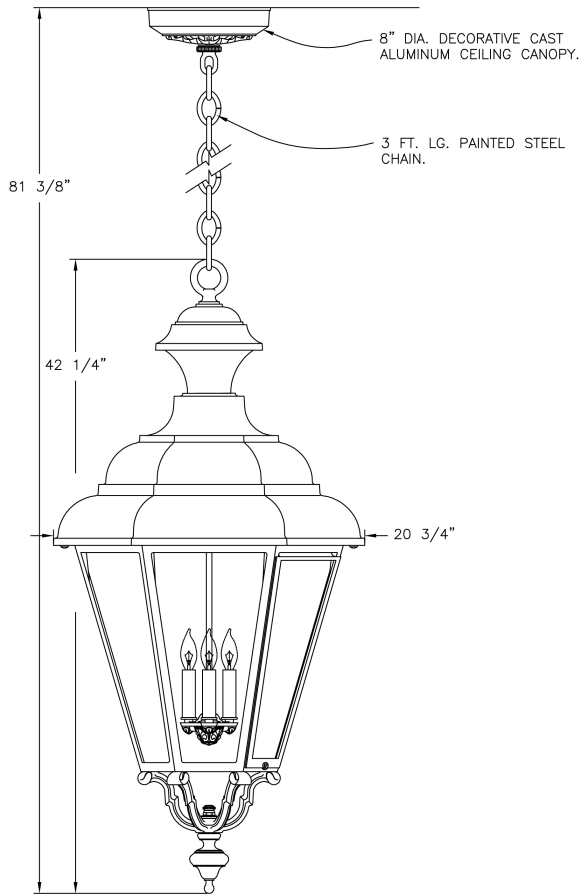


Grande Jamestown Ceiling Lantern (B30820) Specification Sheet

Project Name:	Location:	MFG: Philips Lighting
Fixture Type:	Catalog No.:	Qty:



Ordering Guide

Example: B30820 ABS A C3

Product Code	B30820	Grande Jamestown Ceiling Lantern
Finish	ABS ACP ARD ASI BLK BRN BRZ FGN GRA IRN RBZ SRT VBZ VGN VTC WBZ WHT	Antique Brass Antique Copper Antique Red Antique Silver Black Brown Bronze Forest Green Granite Ironstone Rustic Bronze Shadow Rust Verde Bronze Verde Copper Verde Vintage Copper Weathered Bronze White
Panel/Globe	A B E D C P M Q	Clear Acrylic (standard) Opal Acrylic Clear Textured Acrylic Bronze Tone Acrylic Clear Seeded Acrylic Clear Polycarbonate Opal Polycarbonate Prismatic Polycarbonate
Lamping	C3 D	B1-3 light cluster Medium Base

Specifications

CONSTRUCTION:

Cast aluminum construction. 1 Door and 5 cage panels. Painted metal covers and two (2) piece painted metal body. Cast aluminum ceiling canopy. Painted loop & screw collar. 36" long painted steel chain attached to cast aluminum loop.

FINISH:

Resilient TGIC thermoset polyester powdercoat paint is electrostatically applied to every fixture. Specially formulated for Philips Outdoor Lighting, it provides UV protection, and the highest temperature rating in the industry. In addition to the standard color choices shown, a spectrum of custom colors is available.

PANELS/LENS/GLOBE:

See lenses for available options.

LAMPING:

B1-3 light candelabra (C3), 25W max per candelabra. Or medium base socket (D), 100W max. Lamp(s) not included.

ELECTRICAL ASSEMBLY:

Fixture is pre-wired with 18 AWG black, white, and ground wires. Lantern will be prewired and tested. All electrical components are ETL listed.

MOUNTING:

Mounting Hardware is supplied. See template for dimensions & mounting instructions.

Grande Jamestown Ceiling Lantern (B30820) Specification Sheet

Project Name:

Location:

MFG: Philips Lighting

Fixture Type:

Catalog No.:

Qty:

WARRANTY:

Lifetime limited warranty.

CERTIFICATIONS:

ETL Listed to U.S. safety standards for damp locations. cETL Listed to Canadian safety standards for damp locations.

Height:

81 3/8"

Width:

20 3/4"

Max. Weight:

45 lbs.